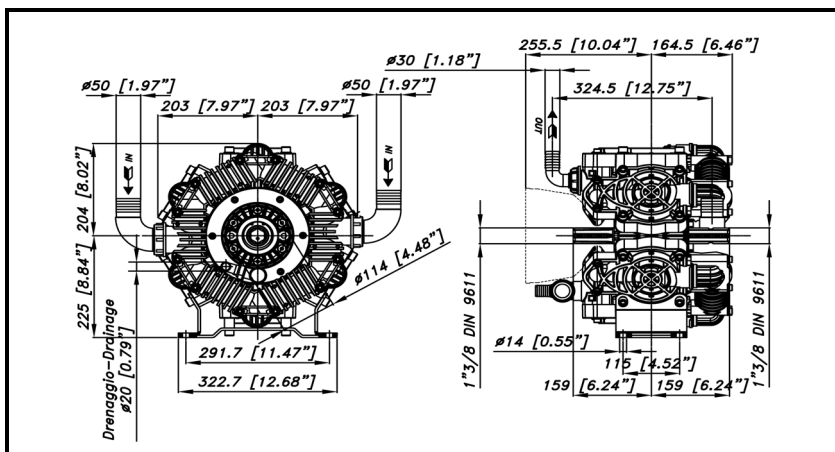
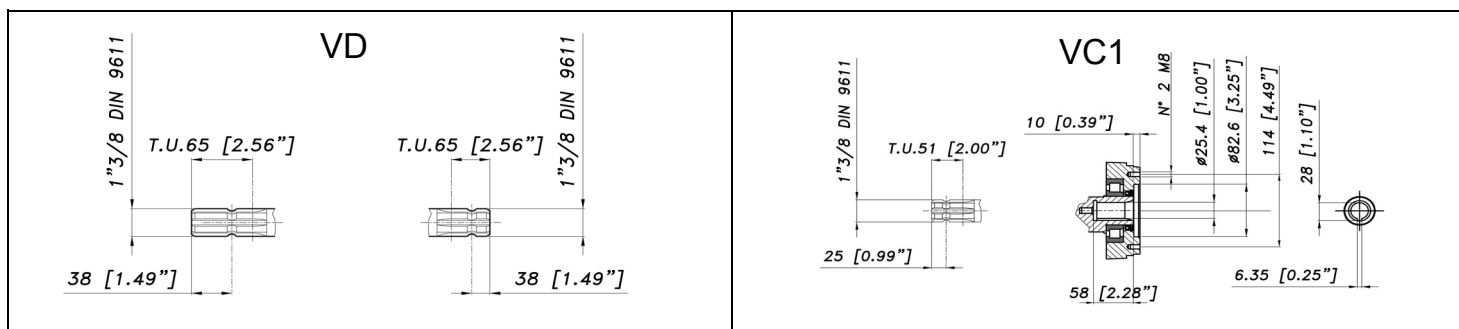


DIMENSIONI D'INGOMBRO - OVERALL DIMENSIONS



ALBERO POMPA - PUMP SHAFT



COPPIA DI SERRAGGIO - TORQUE CHART

CODICE - CODE	Q.TY	POS	N.m	Lbr.ft
86.3751.00.2	6	8	85	62.7
86.3212.00.2	6	29	45	33.2
86.2894.00.2	12	40	15	11.1
86.3995.00.2	16	59	75	55.3
86.4080.10.2	4	61	75	55.3
86.4050.10.2	4	60	75	55.3
86.3044.50.2	12	62	25	18.4
86.1934.90.2	6	15	5	3.7

Tolleranza di serraggio: 0/-10%  
Tolerance on torque value:

INFORMAZIONI UTILI  
USEFUL INFORMATION

LUBRIFICANTE- LUBRICANT:  
GRASSO KLUBER CENTOPLEX GLP  
GRASE KLUBER CENTOPLEX GLP

PRESSIONE ACCUMULATORE  
ACCUMULATOR PRESSURE

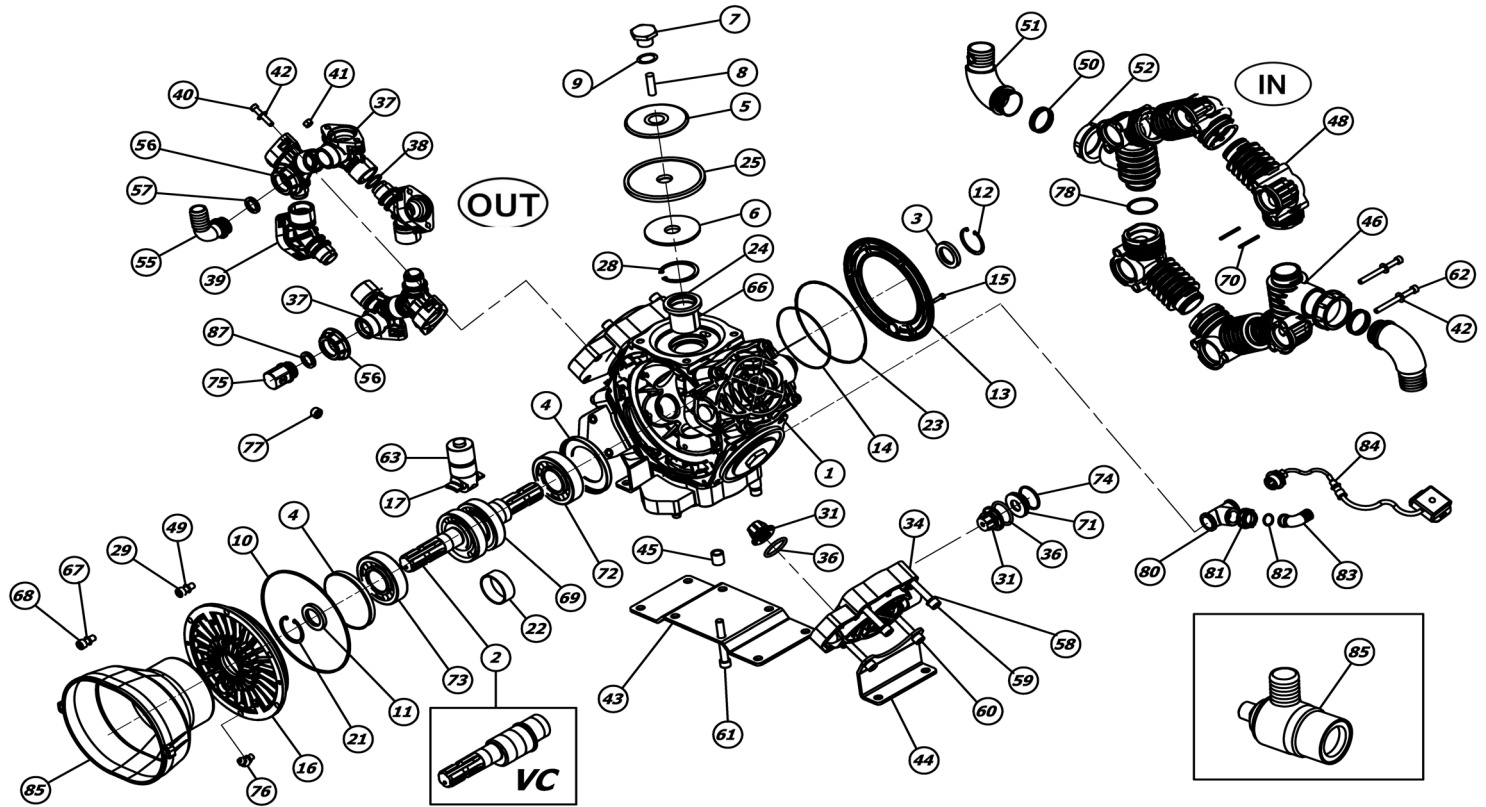
PRESSIONE DI LAVORO - OPERATING PRESSURE	2 ÷ 5	5+10	10 + 20	20 ÷ 50
ACCUMULATORE ACCUMULATOR	/	/	/	/

KIT MEMBRANE - DIAPHRAGMS KIT

KIT	15.9801.97.3	DESMOPAN											
		25	36										
POSIZIONE ESPLOSO POSITION NUMBER													
QUANTITA' NEL KIT QUANTITIES INCLUDED		6	12										

KIT POMPA/KIT VALVOLE - PUMP KIT/VALVES KIT

KIT	15.9802.97.3	KIT POMPA PUMP KIT							15.9803.97.3	VALVOLE VALVES INOX								
		3	11	24	36	38	74	78		31	36	74						
POSIZIONE ESPLOSO POSITION NUMBER																		
QUANTITA' NEL KIT QUANTITIES INCLUDED		1	1	6	12	6	6	6			12	12	6					



POS.	CODICE PART NO. REF.	DENOMINAZIONE - DESCRIPTION - DESCRIPTION	Q.TY	POS.	CODICE PART NO. REF.	DENOMINAZIONE - DESCRIPTION - DESCRIPTION	Q.TY
1	150001072	CRANKCASE	1	49	843758002	WASCHER SCHNORR d.10	6
2	150023262	SHAFT VD (1"3/8 M-M)	1	50	803209102	O-RING 2,62X40,95	4
2	150002262	SHAFT VC (1"3/8-D.1" M-F)	1	51	840610002	90°ELBOW CONNECTOR D.50-1,96"	2
3	802191102	OIL SEAL 45x62x7	1	52	820120002	WING NUT G.2"	2
4	150010612	RING	2	55	840560002	90°ELBOW CONNECTOR D.30-1,18"	1
5	150012512	DIAPHRAGM WASHER	6	56	820067502	WING NUT G.1"1/4	2
6	150013512	SKY PISTON	6	57	803219002	O-RING 3X25	2
7	150014512	SCREW PISTON	6	58	843844502	WASCHER 12,2X21X2,5	24
8	863751002	SCREW STEI M12X30 UNI 5923	6	59	863995002	SCREW TCEI M12X65 UNI 5931	16
9	803205502	O-RING 2,62X26,25	6	60	864050102	SCREW TCEI M12X70 UNI 5931	4
10	803212602	O-RING 2,62X209,22	1	61	864080102	SCREW TCEI M12X90 UNI 5931	4
11	802143102	OIL SEAL 35x52x7	1	62	863044502	SCREW TCEI M8X90 UNI 5931	12
12	801400002	SNAP RING D.62	1	63	150018492	PISTON	6
13	150017322	COVER	1	66	804469002	SELF-LUBRICATING BUSHING RL 4540	6
14	803210702	O-RING 2,62X126,67	1	67	843660002	WASCHER D.8,4 (OPTIONAL)	2
15	861934902	SCREW TE M5X20 UNI 5739	6	68	862460002	SCREW TCEI M8X12 UNI 5931 (OPTIONAL)	2
16	150009072	COVER	1	69	812175002	BEARING 55X100X21	2
17	150019492	PIN	6	70	851161002	PIN 4X45	12
21	801368002	SNAP RING D.52	1	71	280229322	SPACER	6
22	150021492	SPACER	1	72	812174002	BERARING 45X100X25	1
23	803212402	O-RING 2,62X202,87	1	73	812173002	BEARING 35X100X25	1
24	802194002	OIL SEAL 45x65x8	1	74	803209402	O-RING 2,62X44,12	6
25	140035002	DIAPHRAGM DESMOPAN	6	75	150025542	CONNECTOR	1
28	801401002	SNAP RING D.65	6	76	826030002	LUBRICATOR M8X1	2
29	863212002	SCREW TCEI M10X20 UNMI 5931	6	77	852585002	CAP G.3/8"	1
31	289809973	VALVE	12	78	803309002	O-RING 4x40	6
34	150006322	BODY	6	80	841617002	FITTING F-M-F G.3/4"-G.1"	1
36	803314002	O-RING 4,5X40	12	81	820045502	WING NUT G.1"	1
37	150008322	PIPE MANIFOLD G.1"1/4	2	82	824153002	GASKET	1
38	803206002	O-RING 2,62X28,25	6	83	840541002	90°ELBOW CONNECTOR D.25-1"	1
39	150007322	PIPE MANIFOLD	4	84	828226002	FAILLURE DIAPHRAGM SENSOR	1
40	862894002	SCREW TCEI M8X50 UNI 5931	12	85	243016973	SAFETY VALVE (OPTIONAL)	1
41	814574502	NUT M8 UNI 5588	12	86	311482322	PLAIN SAFETY CONE (OPTIONAL)	1
42	843697002	SCREW D.8,4X18X2 UNI 1734	24	87	803205502	O-RING 2,62X26,25	1
43	150015612	MOUNTING RAIL	1				
44	150016612	BRACKET	2				
45	150022492	SPACER MOUNTING RAIL	4				
46	140032322	PIPE MANIFOLD G.2"	2				
48	140029322	MANIFOLD	4				